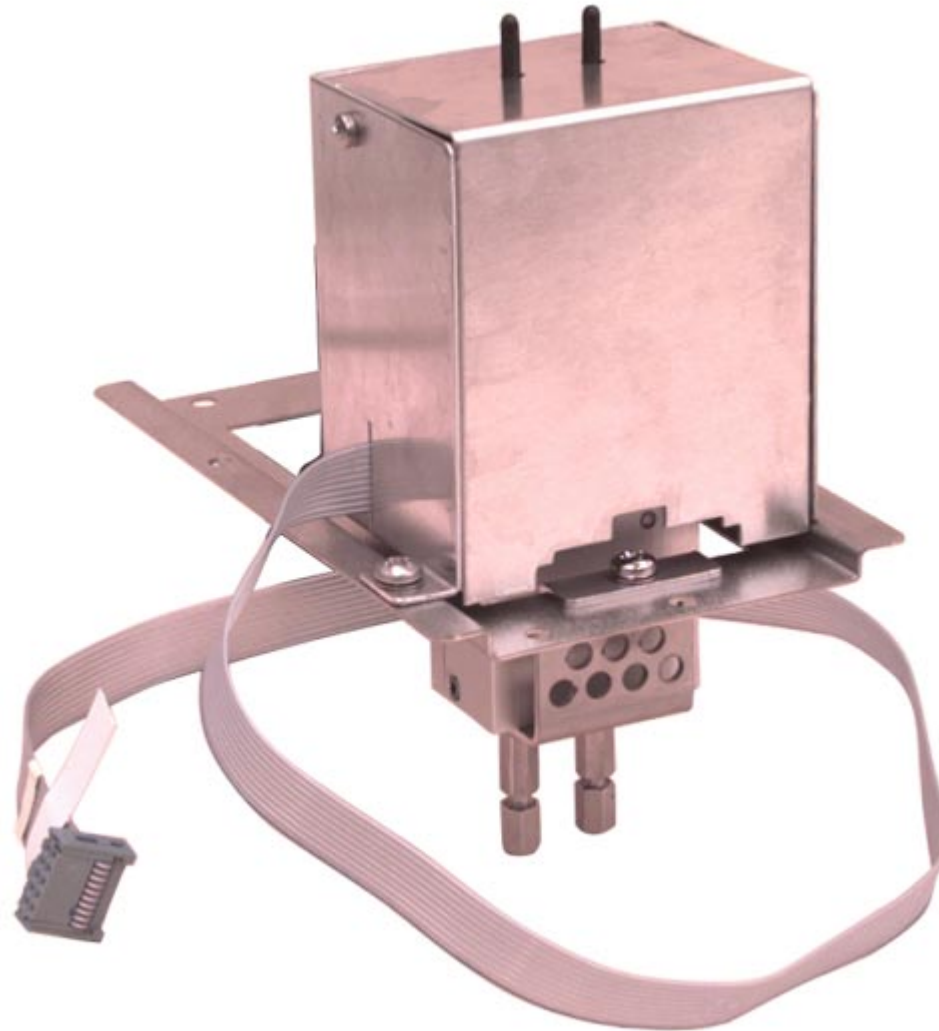


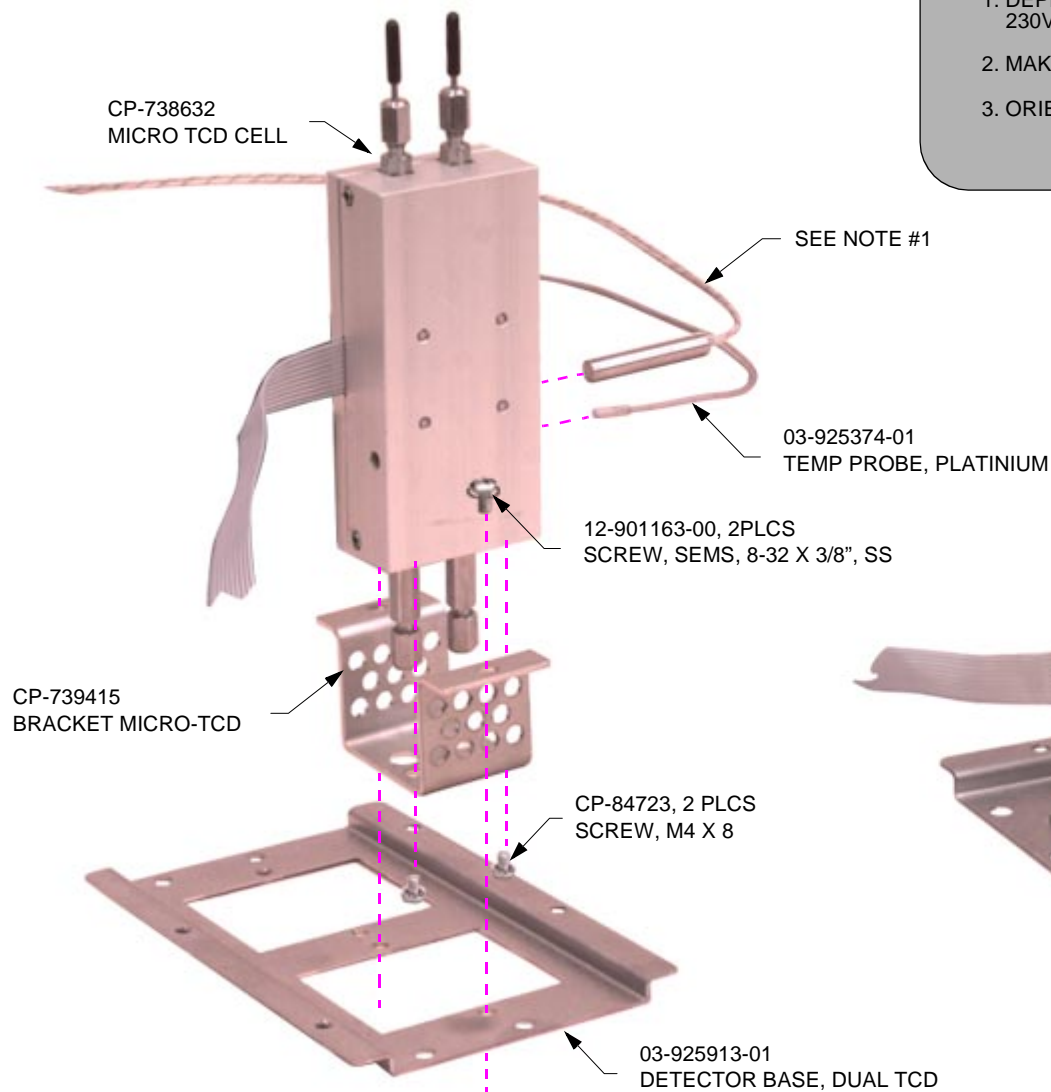
## SUB-ASSEMBLY MICRO - TCD

### SUB-ASSEMBLIES STATION, ASSEMBLY PROCEDURES

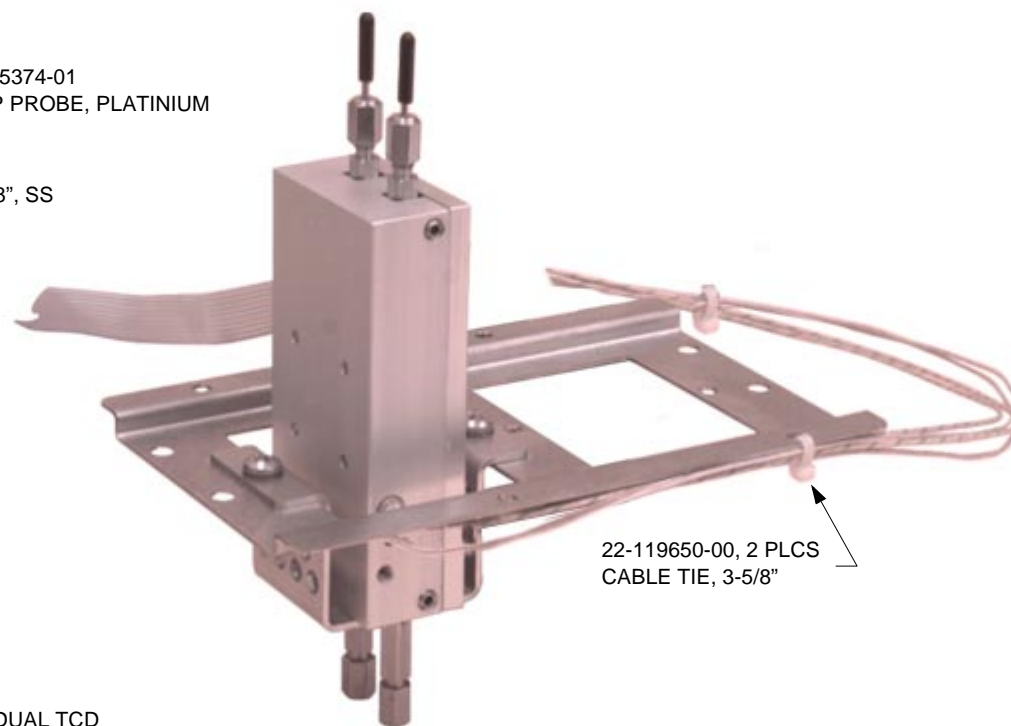


NOTES:

1. DEPENDING ON APPLICATION USE 120V AC 50W HEATER (03-925899-01) OR 230V AC 50W HEATER (03-925899-02).
2. MAKE SURE HEATER AND PLATINIUM TEMP PROBE ARE FULLY SEATED.
3. ORIENT MICRO-TCD CELL ON BASE WITH FLAT CABLE AT FRONT.

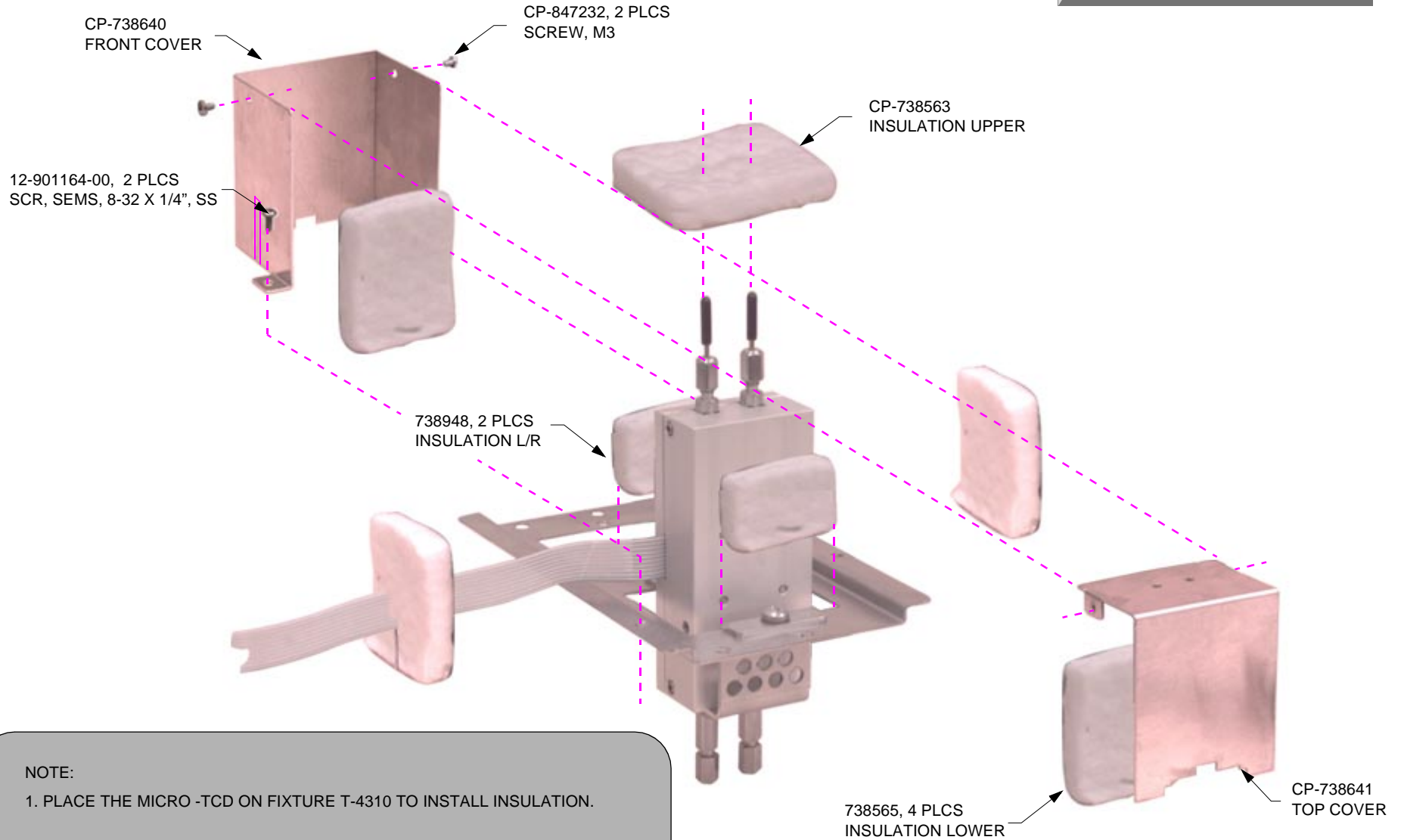


**MICRO-TCD EXPLODED VIEW**



**MICRO-TCD ASSEMBLY VIEW**

[CLICK HERE FOR MICRO-TCD INSTALLATION](#)



NOTE:  
1. PLACE THE MICRO -TCD ON FIXTURE T-4310 TO INSTALL INSULATION.